

User Guide

PopStyle 10.1” Network OpenFrame

Version 1.1

Revision History

Amendment Date	Version
October, 2012	V1.0
March 2013	V1.1

Table of Contents

- 1 Introduction 4
- 2 System 5
- 3 Instructions 6
 - 3.1 Preparation 6
 - 3.2 SD card 6
 - 3.3 Slide switch 7
 - 3.4 Powering On 7
 - 3.5 Autoplay / Manual Playback at power startup 7
 - 3.6 Playback modes 7
 - 3.7 OSD Configuration mode 8
 - 3.8 Network setup 9
- 4 Dimensions 11
- 5 Specification 12

1 Introduction

The DV Signage 10.1" PopStyle is a self-contained LCD display and network digital media player for continuous (looped) playback of video stored on a SD card. The unit comprises a widescreen 10.1" color TFT LCD, a RJ-45 LAN port and optional touch screen. A range of other accessories and factory installed customization options are also available, these are not to be covered in this manual.

Please note that a certain level technical knowledge and experience is assumed, if you have difficulties please contact your sales representative or DV Signage support, contact details are available on <http://www.dvsignage.com/contact>

IMPORTANT USAGE NOTE

This equipment is for use by system developers and integrators. The manufacturer accepts no liability for damage or injury caused by the use of this product. It is the responsibility of the developer, integrators or other users of this product to:

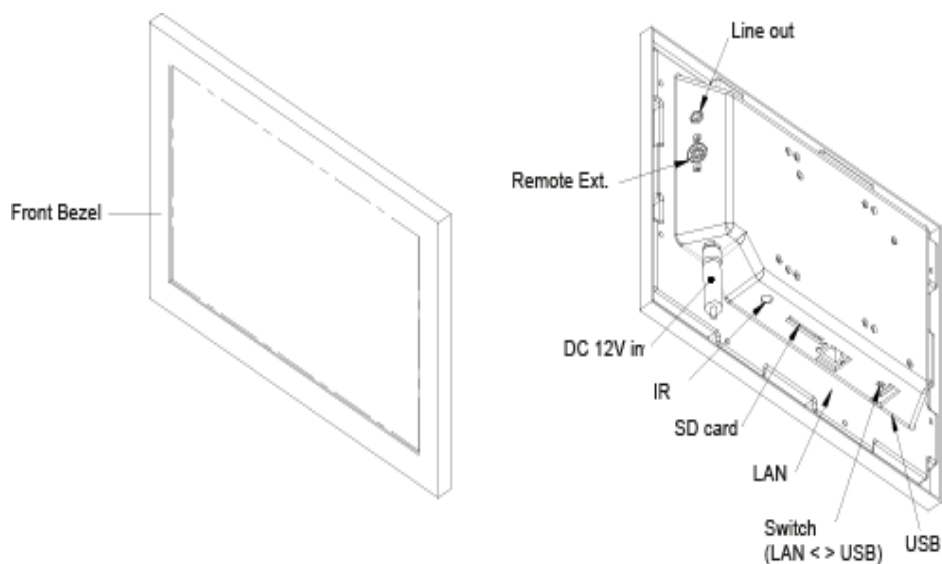
- Ensure that all necessary and appropriate safety measures are taken.
- Obtain suitable regulatory approvals as may be required.
- Check power settings to all component parts before connection.**

DISCLAIMER

There is no implied or expressed warranty regarding this material.

2 System

10.1" PopStyle (POP-10N)



3 Instructions

CAUTION: Never connect or disconnect parts of the system when the system is powered up as this may cause serious damage.

3.1 Preparation

DV Signage PopStyles are designed to be as plug and play as possible requiring the minimum of setup for use. The following describes the operation of the standard version, there are however a number of options available and these may affect the preparation required.

Main components:

- PopStyle unit
- AC power supply
- SD card – see following note

3.2 SD card

The DV Signage PopStyle uses standard SD cards to store the media (video, still images) for playback. The following are key points to note:

- The format of the digital media stored on the SD card needs to meet certain standards as per the specifications for this device as summarized in section 5.
- Media files can be stored on the SD card in two ways:
 - Playlist mode: Using DV Signage's DV Studio software which enables creation of a playlist with a number of options for controlling media playback.
 - Simple play mode: Using a PC copy function to transfer files onto the SD card.
- All content files must be stored within a folder name MEDIA. (i.e. /Media/)

Additional notes regarding the playback modes are shown below.

3.3 Slide switch

- You may only choose either one way (LAN or USB) to update content without removing SD card



3.4 Powering On

- Install the SD card, however to reduce the risk of errors it is advised to have the power off when removing or installing a SD card.
- Connect the provided external AC power supply unit.
- Power on the unit, the power LED should come on.

See the following section for Power On options.

3.5 Autoplay at power startup

The DV Signage PopStyle supports AutoPlay modes at power startup

AutoPlay: This is the default mode for the unit. This means that upon power-on video will start playing in accordance with a playlist (if DV Studio was used to transfer the media files to the SD card) or in alpha-numeric order (if the media files were simply copied to the SD card).

3.6 Playback modes

Playlist mode, i.e. using DV Studio:

- When operating in playlist mode, both project file (*.prj) and playlist file (*.pll) must be present on the SD card. These are used to control the sequence for all video tracks. If playback does not run as expected please check that these files are present on the SD card.
- The project and playlist file are created using DV Studio software. Using this software, you can set simple sequences or complex sequences including “jump track” or “next track” actions. The software can also program buttons with different functions like “play”, “stop”, “pause”, “mute”, “previous”, “next” and “volume”.

Simple play mode, i.e. files copied to Compact Flash without using DV Studio:

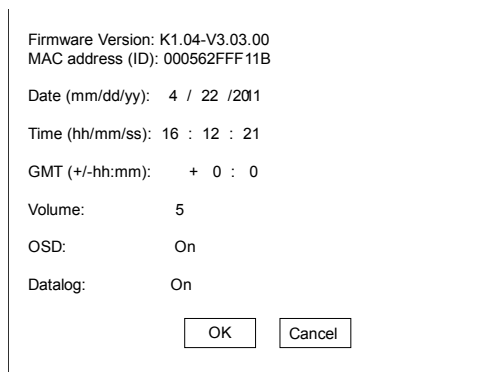
- In simple play mode, the user just copies all video files (.mpg) or JPEG files (.jpg) onto the SD card. The PopStyle will play these files in alphabetical sequence.
- For JPEG files, the play time is determined by the last digit of the filename. (For example: APPLE5.mpg, where “5” means the track will be displayed for 5 seconds.)
Note: Do not use the same filename on both Video and JPEG.

Note: Make sure all capital letters in a filename defined in playlist are consistent with the filename on SD card. All filenames should be in 16+3 format and avoid using any characters like “~”, “_”, “-“, etc. All content files must be stored within a folder name MEDIA. (i.e. /Media/)

3.7 OSD Configuration mode

In OSD configuration mode, you may need external buttons to operate.

- Use with external button.
- To enter OSD configuration mode, holding button 8 and power on the PopStyle unit. The OSD menu screen will be shown as follow:



- Press button 8 to select option.
- Press button 7 or button 6 for change value.
- Press button 7 or button 6 to confirm “OK” or “Cancel”.

3.8 Network setup

Each PopStyle is shipped with DHCP settings (IP=0.0.0.0). In some network environment, fixed IP could be used and you may need to change the PopStyle with the fixed IP settings. All IP settings are set in a configuration file called “netcfg.ini”. To change the IP settings on PopStyle, copy the netcfg.ini file with your setting on to MEDIA folder on SD card and restart the PopStyle then you will see a boot up message with your IP information changed.

The following is an example of fixed IP settings in netcfg.ini file.

```

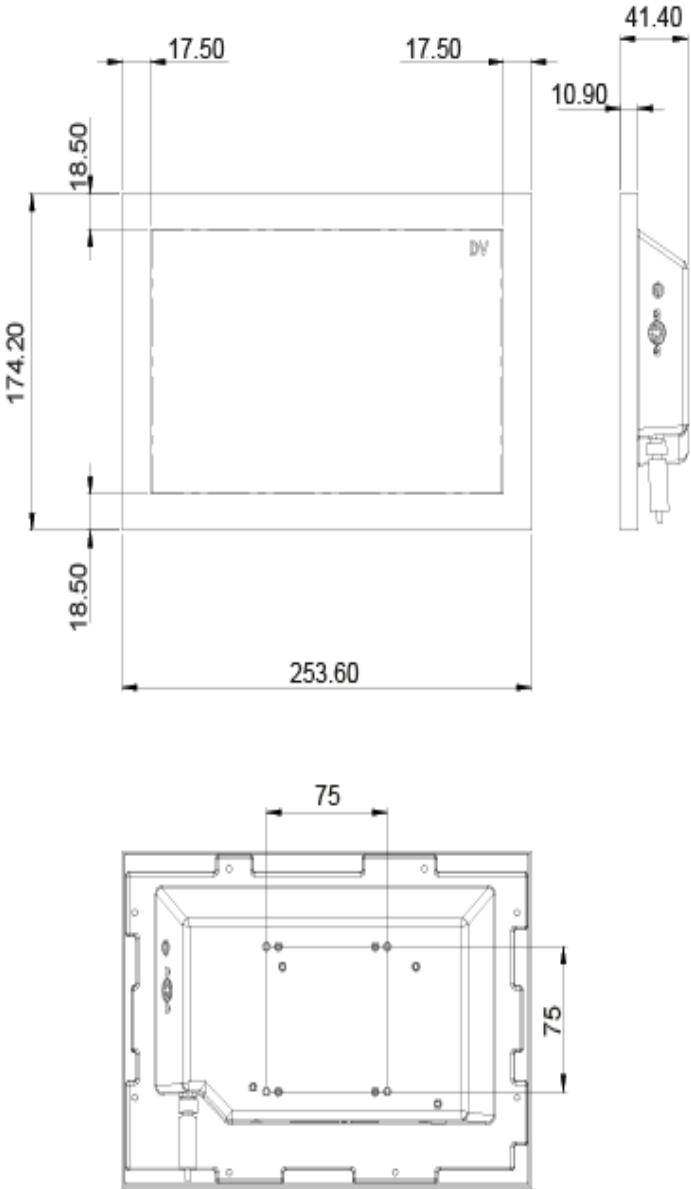
IO_OUTPUT_MESSAGE_THROUGH_232_ENABLE=
1
VOLUME=5
FTP_UPDATE_ENABLE=0
JPG_TRANSITION_EFFECT=OFF
TIME_ZONE=+0
TIME_SERVER=ON
DATALOG_DURATION_IN_DAY=31
CLEANUP_INTERVAL_IN_MINUTE=1440
DAILY_END_TIME_ENABLE=1
IP_OVERWRITE=1
IP=10.1.0.123
NETMASK=255.0.0.0
GATEWAY=10.1.0.1
DNS1=10.1.0.1
    
```

In addition to IP information, the NETCFG.INI file contains some system settings for ViewStream 505 media player. Below is a table to show all user settings in the NETCFG.INI

ITEM	DESCRIPTION
IO_OUTPUT_MESSAGE_THROUGH_232_ENABLE	Enable message output on RS-232 port 0 = Disable message output 1 = Enable message output [Default]
VOLUME	Master volume set, Range (0-10) [Default: 5]
FTP_UPDATE_ENABLE	Enable DV Connect mode 0 = Content pull mode 1 = Content push mode [Default: 0]
TIME_ZONE	GMT time zone setting Format: +/- hhmm [Default: +0000]
TIME_SERVER	Set time server OFF = Disable time server polling ON = Enable time server “pool.ntp.org” [Default]
DATALOG_DURATION_IN_DAY	Max. day(s) to keep data log [Default: 31]
CLEANUP_INTERVAL_IN_MINUTE	Interval to clean up data log

	[Default: 1440]
DAILY_END_TIME_ENABLE	Stop playing End of Day 0 = disable 1 = enable [Default]
IP_OVERWRITE	Change IP settings on player 0 = Keep the old IP settings on player [Default] 1 = Overwrite with new IP settings on player
IP	IP address 0.0.0.0 = DHCP mode [Default: 0.0.0.0]
NETMASK	Subnet mask (Ignore if set to DHCP) [Default: 0.0.0.0]
GATEWAY	Gateway value (Ignore if set to DHCP) [Default: 0.0.0.0]
DNS1	DNS table [Default: 0.0.0.0]

4 Dimensions



Unit in mm

PopStyle 10.1" OpenFrame (POP-10N)

5 Specification

Playback video format	1. MPEG-2 (PS) .mpg @3Mbit/s - Recommended 2. JPEG (.jpg) up to 1280x720 pixels
Video storage	SD cards
LCD display	Color TFT
Screen size	10.1" (Diagonal)
Screen active area	216.9(H) x 135.6(V) mm
Panel resolution	1280(H) x 3(RGB) x 800(V)
Brightness	350 cd/m ²
Contrast ratio	1500 : 1
Viewing angle	178/178 (Vertical/Horizontal)
Playback Functions	Standard playback : Play, Stop, Pause, Repeat, Previous, Next Track, Volume Programmable playback : Loop, Auto and Program mode
I/O	USB port – Content update IR remote control – Playback control / Screen OSD LAN Content update
Power input	DC 12V
Ordering information	586330200-3 (POP-10N without metal front bezel) 366330203-3 (Metal front bezel)
Dimensions	253.6(W) x 41.4(D) x 174.2(H) mm
Weight	725g
Environmental	Operating temperature : 0°C to 50°C Relative humidity : 5%-95% relative humidity (Non-condensing)

WARRANTY

The products are warranted against defects in workmanship and material for a period of one (1) year from the date of purchase provided no modifications are made to it and it is operated under normal conditions and in compliance with the instruction manual.

The warranty does not apply to:

- Product that has been installed incorrectly, this specifically includes but is not limited to cases where electrical short circuit is caused.
- Product that has been altered or repaired except by the manufacturer (or with the manufacturer's consent).
- Product that has subjected to misuse, accidents, abuse, negligence or unusual stress whether physical or electrical.
- Ordinary wear and tear.

Except for the above express warranties, the manufacturer disclaims all warranties on products furnished hereunder, including all implied warranties of merchantability and fitness for a particular application or purpose. The stated express warranties are in lieu of all obligations or liabilities on the part of the manufacturer for damages, including but not limited to special, indirect consequential damages arising out of or in connection with the use of or performance of the products.

CAUTION

Whilst care has been taken to provide as much detail as possible for use of this product it cannot be relied upon as an exhaustive source of information. This product is for use by suitably qualified persons who understand the nature of the work they are doing and are able to take suitable precautions and design and produce a product that is safe and meets regulatory requirements.

SAFETY INSTRUCTION

Do not use this product near water, for example, near a bathtub, wash bowl, kitchen sink, laundry tub, in a wet basement or near a swimming pool.

LIMITATION OF LIABILITY

The manufacturer's liability for damages to customer or others resulting from the use of any product supplied hereunder shall in no event exceed the purchase price of said product.

TRADEMARKS

The following are trademarks of DV Signage :
DV Signage
Video Flyer / PopStyle

CONTACT DETAILS

USA: 18440 Technology Drive
Building 130
Morgan Hill, CA 95037

Tel: (1) 408-782 7773
Sales: info@dvsignage.com

Fax: (1) 408-782 7883

EUROPE: The Lake House,
Knebworth Park,
Hertfordshire, SG3 6PY
UK

Tel: +44 (0)20 7631 2155
Sales: info@dvsignage.com

Fax: +44 (0)20 7631 2156

ASIA: 16th floor Millennium City 3
370 Kwun Tong Road
Kwun Tong
Hong Kong

Tel: (852) 2861 3615
Sales: hk@dvsignage.com

Fax: (852) 2520 2987