

Manual

ViewStream 700L

Version 2.1

Table of Contents

1	Introduction	3
1.1	Guide to the ViewStream 700L	3
2	Setup	4
2.1	Initial setup	4
2.2	Content preparation and update	7
2.3	Additional functions	8
3	Content Update	9
3.1	Preparation	9
3.2	USB upload	10
3.3	UPDATE.INI	12
3.4	Partial update	13
3.5	UPDATE.LOG	15
4	Network Setup	16
4.1	Get the IP address using DHCP	16
4.2	Get the IP address with fixed IP	16
4.3	Update netcfg.ini file	20
5	FAQ	24
6	Troubleshooting	26
7	Specifications	28

Revision History

Amendment Date	Version
January 2010	V1.0
October 2011	V1.1
June 2012	V2.0
July 2012	V2.1

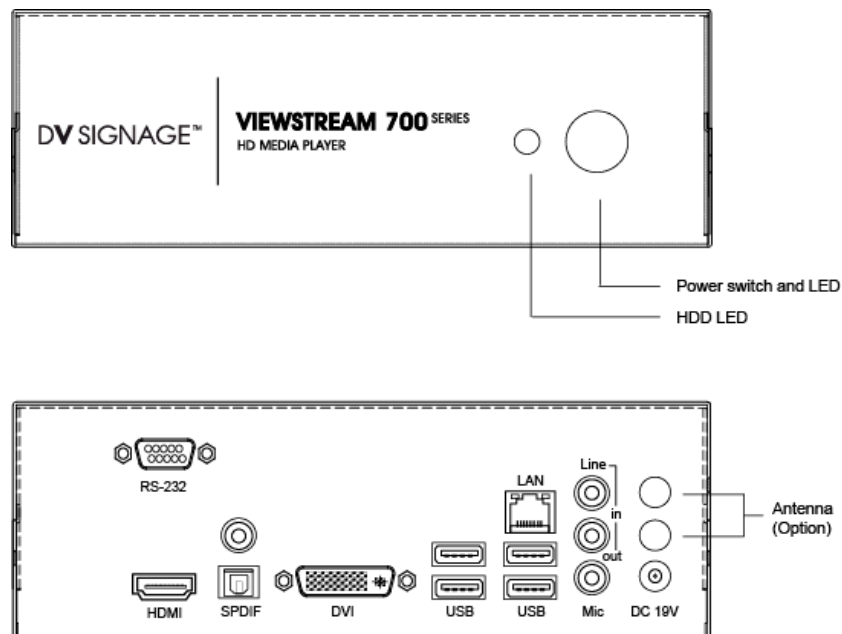
1 Introduction

The ViewStream 700L (VS-700L) is a powerful yet easy to use commercial HD (High Definition) digital media player designed for retail point of purchase (POP) product promotions, product demonstration videos, museum information displays, and similar applications that require the solutions to be operated within a network.

Note: Please refer to separate **Configuration Guide/Application Note** for specific information on how to use the VS-700L via a local LAN or the internet.

1.1 Guide to the ViewStream 700L

Diagram 1 – ViewStream 700L



Description	Use
Power button (with power LED)	Power on/off button
USB x 4 (rear)	Content update
LAN (RJ-45)	Network connection
Antenna (Option)	
DC 19V in	DC 19V power input
Line in	Not used
Line out	Audio out
Mic	Not used
SPDIF	Not used
RS-232	Reserved for Barcode scan or Control
HDMI	HDMI output (Default set to 1920x1080)
DVI	DVI output (Default set to 1920x1080)

2 Setup

The ViewStream 700L is designed as an “Auto Play” system which means that when powered “on” it will automatically play media stored on its hard-disk. Media will be played in alphanumeric order based on the filename or in accordance with a playlist if one is present.

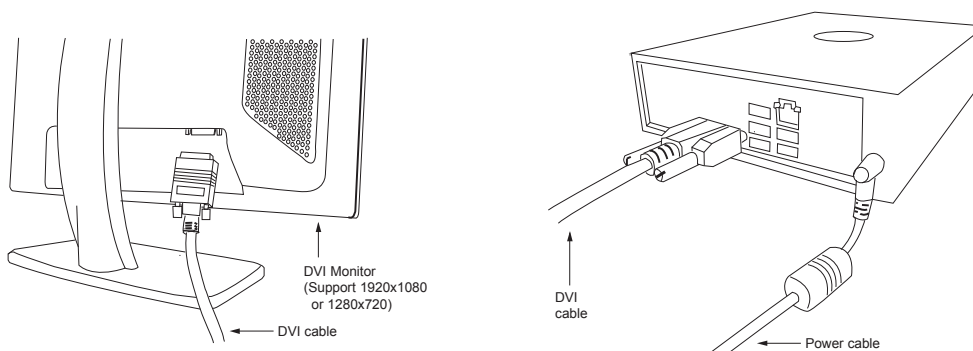
There are three steps to consider:

- Initial setup of the ViewStream 700L and a display
- Preparing and updating of content
- Special functions:
 - Playlist
 - Data Logging
 - Scheduling
 - Firmware upgrade

2.1 Initial setup

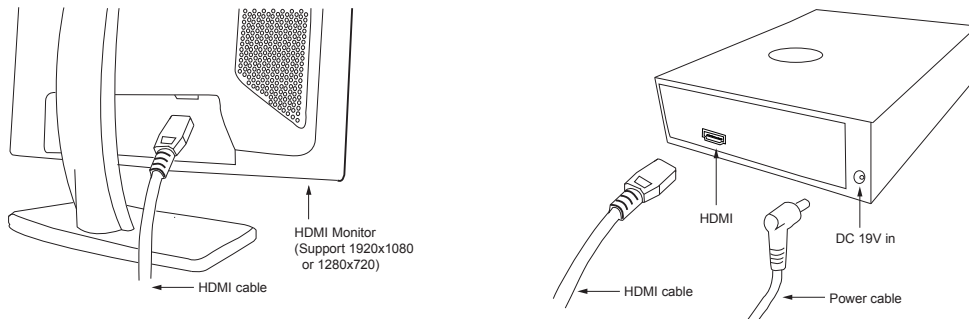
Steps to follow:

- **DVI Connection:** Connect the ViewStream 700L to a TV type display or monitor using a DVI cable.



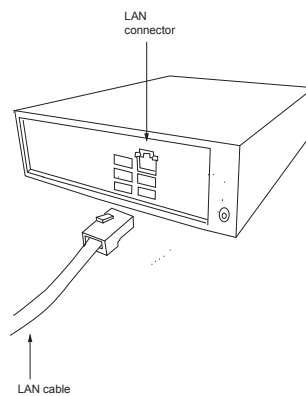
The display must be able to support 1920x1080 or 1280x720 resolution though it may require setup.

- **HDMI Connection:** Connect the ViewStream 700L to a TV type display or monitor using a HDMI cable.

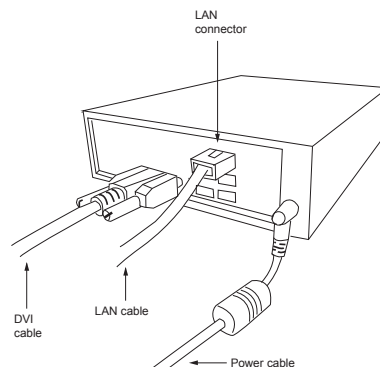


The display must be able to support 1920x1080 or 1280x720 resolution though it may require setup.

- **RJ-45 Connection:** Connect a RJ-45 LAN cable to ViewStream 700L.



- **Power “on”:** Ensure both ViewStream 700L and display are connected to power and switched on. It is recommended to connect the video cable first and then switch the power on so that you can watch what appears on the screen.



What you should see on the screen:

The startup (boot up) sequence, this will be some text scrolling up the screen. If nothing appears within 30 seconds, please refer to the **Troubleshooting section** in this manual.

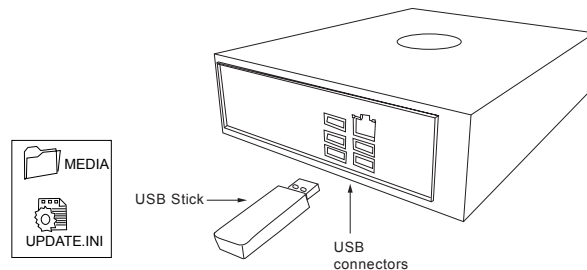
When the startup has completed the system should start to play video or still images depending on what has been loaded and the play order.

If there is no picture it is possible that no media is loaded, please refer to section **2.2 Content preparation and update** below. If you believe content is loaded it is worth going through section 2.2 again just to check that all steps were followed. Otherwise please check the Troubleshooting section in this manual or call technical support.

If the picture looks faulty then it is likely that the display requires an initial setup. Typically this will mean using the on screen menu of the display, finding a command such as “Auto Setup” or similar and selecting that.

2.2 Content preparation and update

To update content on the player, plug-in a suitably prepared USB flash drive on any of the USB connectors. The USB stick must contain the content files stored in a "MEDIA" folder. (Refer "Section 3 – Content Update" for details)



Filename up to 16 characters long are supported with file extension .mpg and .jpg.



Do not use any "Non alpha-numeric" characters like '~', '_', '-', '&', '^', etc.

NOTE: If 'Non alpha-numeric character' or the '16.3' format are not followed, the player will not recognize the playlist.

NOTE: If using DV Studio to generate playlist, the filename must be 8.3 format due to the file system restriction by the DV Studio.

A Playlist is optional, for details on how to prepare, see the Additional Functions section (page 8). Without a playlist, media will play in alpha-numeric order according to the filename.

- **Video:** For standard definition (SD) video, it is recommended to use DVD settings in the preparation and encoding of video. Many popular video editing programs have a DVD setting however it is important that the file produced is .mpg for MPEG-1 & 2 or .avi for DivX (see the Specification in this manual for suitable encoding bit rate).

- SD video: MPEG-2 (.mpg) Encoding bit rate (5Mbit/s)

With Hi-definition video (1080p/720p), it is recommended to use MPEG-4 encoding video:

- HD 1080p/720p video: MPEG-4 (H.264) (.mp4/.ts) Encoding bit rate (12-20Mbit/s)

- **JPEG still images:** A compression setting of "medium" to "good" is recommended.

Resolution settings:

- For output to a widescreen display: 1920x1080 or 1280x720
- For output to a standard 4:3 display: 1280x1024 or 1024x768

- **Display:** There is a very wide selection of displays on the market that are suitable for use with the ViewStream 700L. Users are however recommended to consider the following:

- Video resolution: The ViewStream 700L supports HDMI/DVI output. Consequently a display with good scaling will produce optimal results.

- **Aspect ratio:** Many displays available are now widescreen type with an aspect ratio of 16:9. However PAL/NTSC is 4:3. Consequently SD video output to widescreen displays may be slightly stretched. In most cases this is not very noticeable but if it is a concern it can be compensated for during the video production and encoding process.
- **Monitor adjustment:** VGA output (if any) is currently set to 1280x720 resolution which may not be supported by all monitors. Sometimes you have to do auto adjust function through the monitor to fit image on screen. If the display looks reasonable but not perfect, please use the On Screen Display (OSD) menu of the monitor to adjust image position and tuning (sometimes called phase). It may also be necessary to adjust the image size.

2.3 Additional functions

The ViewStream 700L offers a wide selection of options as briefly introduced below. For more information on each of these please refer to detailed application notes that may be added from time to time at www.dvsignage.com.

- **Playlist:** By default, videos and still images play in alphanumeric order by filename. Using DV Studio, available for download from www.dvsignage.com, files can be played in a specified order.
- **Data Logging:** Create log files containing a cumulative log of events that lists the date, time and track that was played.
- **Scheduling:** Multiple playlists can be loaded and scheduled to play at specified times.
- **Firmware upgrade:** From time to time the operating system of the ViewStream 700L may be upgraded providing bug fixes and new features. For compatible hardware it is possible to install these upgrades through a simple process.
- **Customization:** Digital View provides customization services. Please contact your local office for enquires.

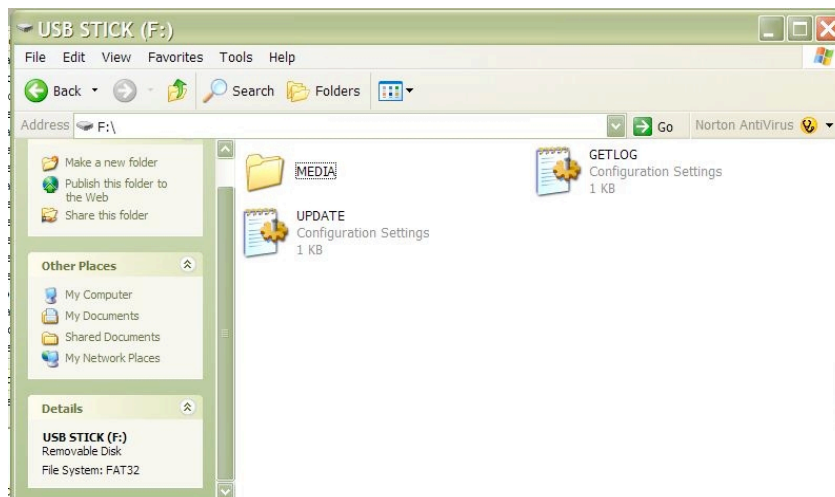
3 Content Update

This section explains the use of USB flash drive for content update. The content such as video, images, playlist file and configuration files (e.g. netcfg.ini, schedule.ini, etc) are updated through a USB flash drive.

3.1 Preparation

USB flash drive

- Ensure the USB flash drive is formatted as FAT32 and no “Password control” files are installed on it.
 - Create a new folder “MEDIA” on the USB flash drive.
 - Create a text file named “UPDATE.INI” * on the root directory. Please refer to the **UPDATE.INI** section for details.
- The USB update does not work without this update.ini file.

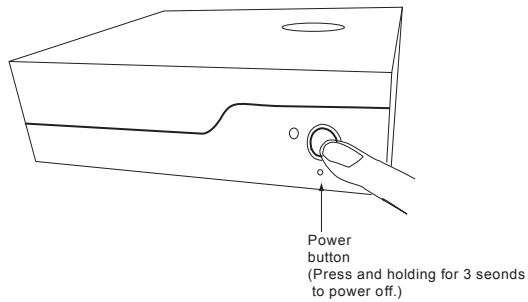


- Copy content (.mpg, .jpg, .ini etc.) into the “MEDIA” folder. These files are now prepared for uploading to the ViewStream 700L.

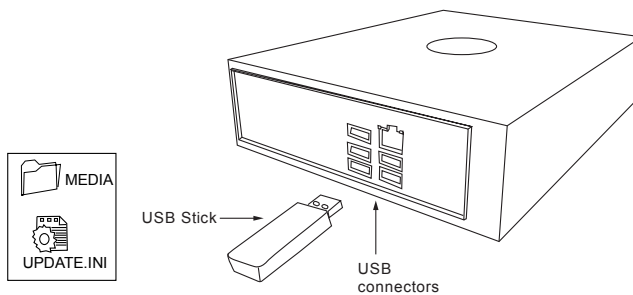
3.2 USB upload

Upload new media content

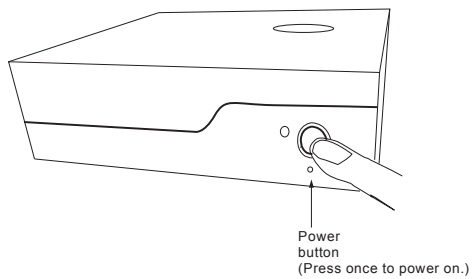
Step 1: Make sure ViewStream 700L is powered off before inserting the USB flash drive.



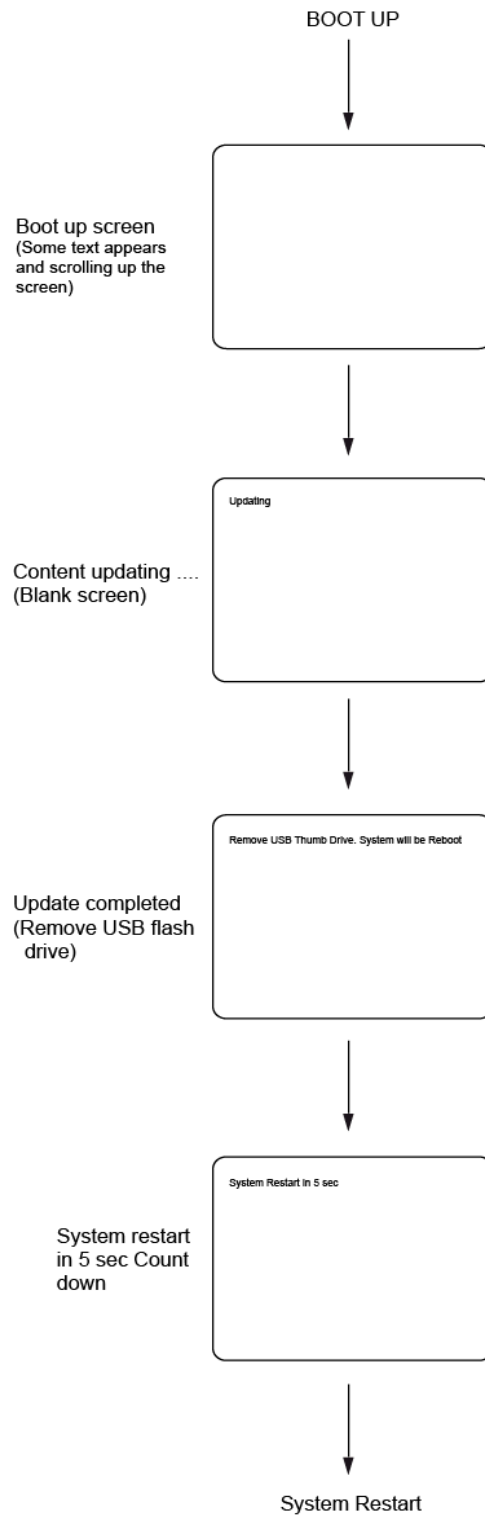
Step 2: Insert USB flash drive with content and “update.ini” saved to ViewStream 700L.



Step 3: Power on ViewStream 700L.



When the media content is being copied from USB flash drive to ViewStream 700L. A screen message will be shown as below:



Once the file copy is completed, the following message will be shown:

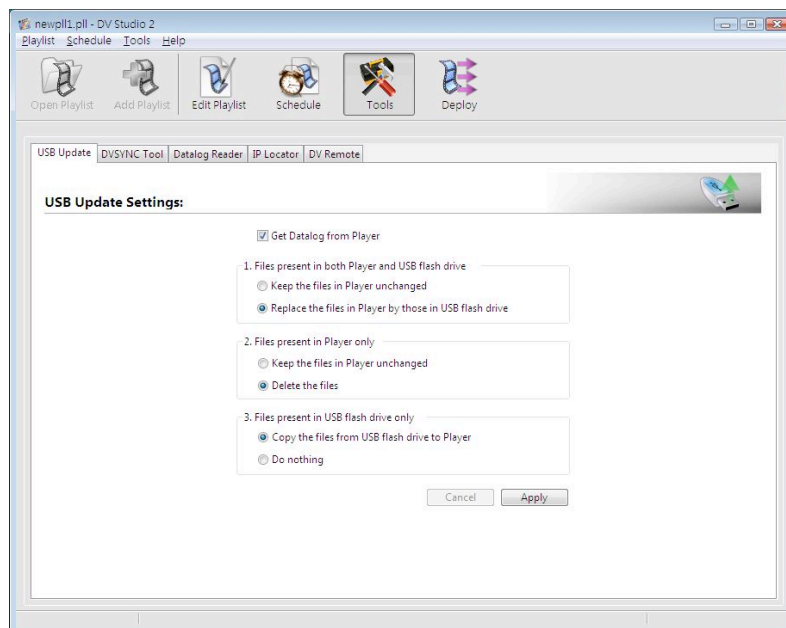
Remove USB Thumb Drive. System will Reboot

System will restart 5 seconds after the USB flash drive has been removed.

3.3 UPDATE.INI

This is a text file to control the file transfer mechanism between player and the USB flash drive. This file must contain the description and options as shown in the example file below and placed in the root directory on the USB flash drive. This “Update.ini” file can be created manually or generated by DV Studio 2 from: www.dvsignage.com/using-dv-studio

Screen of DV Studio 2 -> Tools -> USB Updates Settings:



Example of the “update.ini” text file:

```
[update]

USB host file update options:

-----
1. Files present in both Player and USB flash drive

(*) Keep the files in Player unchanged
() Replace the files in Player by those in USB flash drive

-----
2. Files present in Player only

(*) Keep the files in Player unchanged
() Delete the files

-----
3. Files present in USB flash drive only

(*) Copy the files from USB flash drive to Player
() Do nothing

-----
```

- The USB update does not work without this update.ini file.

3.4 Partial update

You can update all or some of the files. A partial update is defined in the “update.ini” file stored on a USB flash drive. The following cases explain how the options work.

Case (I) – Overwriting all files

Use this when you want to overwrite the player with new content and new playlist, and remove all those files which are not used in the current playlist. This will save storage space on your HDD. Copy the new content and new playlist on to the USB flash drive, and set the option as below.

[update]

USB host file update options:

1. Files present in both Player and USB flash drive

Keep the files in Player unchanged
 Replace the files in Player by those in USB flash drive

2. Files present in Player only

Keep the files in Player unchanged
 Delete the files

3. Files present in USB flash drive only

Copy the files from USB flash drive to Player
 Do nothing

Case (II) – Partially file(s) update

To save time, if you just want to update some of the files in a playlist and avoid downloading again any file(s) that already exist on the player. Copy the files you want to update on to the USB flash drive and set the options as below.

[update]

USB host file update options:

1. Files present in both Player and USB flash drive

Keep the files in Player unchanged
 Replace the files in Player by those in USB flash drive

2. Files present in Player only

Keep the files in Player unchanged
 Delete the files

3. Files present in USB flash drive only

Copy the files from USB flash drive to Player
 Do nothing

Apart from the two cases above, you can define any updating rule by different options combination in the update.ini file.

3.5 UPDATE.LOG

A log file "Update.log" will be created automatically on the USB flash drive once the upload process is done successfully. This log file records the history of the content update as shown in the example as below:

```
[2008-08-14 11:39:54]DELETE:1024x768.jpg  
[2008-08-14 11:39:54]DELETE:1280x720.jpg  
[2008-08-14 11:39:54]DELETE:720M208M.MPG  
[2008-08-14 11:39:54]DELETE:A.pll  
[2008-08-14 11:39:54]DELETE:default.prj  
[2008-08-14 11:39:54]DELETE:dscf0026.jpg  
[2008-08-14 11:39:54]DELETE:msd.avi  
[2008-08-14 11:39:54]DELETE:schedule.ini  
[2008-08-14 11:40:07]COPY:720M220MB.MPG  
[2008-08-14 11:40:08]COPY:J3.JPG  
[2008-08-14 12:09:13]COPY:720H205M.AVI  
[2008-09-09 09:03:41]COPY:DEFAULT.PRJ  
[2008-09-27 12:36:58]COPY:NETCFG.INI
```

4 Network Setup

Each VS-700 is ship with DHCP settings (IP=0.0.0.0). In some network environment, fix IP could be used and you may need to change the VS-700L with the fix IP settings. All IP settings are set in a configuration file called “netcfg.ini”. To change the IP settings on VS-700 media player, copy the netcfg.ini file with your setting on to MEDIA folder on USB flash drive and follow the instruction in section 4.3.

The following is an example of NETCFG.INI file to show the fix IP settings and Time Zone value (e.g. +8).

```

:
    IP_OVERWRITE=1
    IP=192.168.1.60
    NETMASK=255.255.255.0
    GATEWAY=192.168.1.1
    DNS1=205.252.177.77
    DNS2=208.167.231.55
    TIME_ZONE=8
    DVSYNC_SHOW_DOWNLOAD_FILENAME=1
:
    
```

Important note: If you intent to change the new IP address (whatever DHCP (0.0.0.0) or Static IP), make sure to add “**IP_OVERWRITE=1**” in netcfg.ini. Otherwise, your new value of IP address will not overwrite the old value.

4.1 Get the IP address using DHCP

If you are using DHCP, the VS-700L will first try to obtain its IP address and network information, such as Subnet Mask address, Gateway address, etc., from the DHCP server. The VS-700L may also be configured manually.

If you have a DHCP server on your network, the VS-700L automatically obtains its IP address from that server.

- DHCP services must be available on the server.
- If the VS-700L and DHCP server are located on different subnets, IP configuration may fail unless the routing device allows the transfer of DHCP requests between subnets.

If you are using DHCP, the netcfg.ini file should look like this (i.e. IP set to 0.0.0.0)

```

IP_OVERWRITE=1
IP=0.0.0.0
NETMASK=0.0.0.0
GATEWAY=0.0.0.0
DNS1=0.0.0.0
DNS2=0.0.0.0
    
```

4.2 Get the IP address with fixed IP

If you are using a static IP then the netcfg.ini file should have IP, Subnet mask and Gateway value assigned from your LAN administrator. See the example:

```
IP_OVERWRITE=1
IP=192.168.1.2
NETMASK=255.255.255.0
GATEWAY=192.168.1.1
DNS1=211.36.4.4
DNS2=210.56.16.2
```

In addition to IP information, the NETCFG.INI file contains some system settings for VS-700L media player. Below is a table to show the settings in the NETCFG.INI

ITEM	DESCRIPTION
IO_SERIAL_PORT_BARCODE_BAUDRATE	Baud rate set on COM port [Default: 9600]
IO_OUTPUT_MESSAGE_THROUGH_232_ENABLE	Enable message output on RS-232 port 0 = Disable message output 1 = Enable message output [Default]
VOLUME	Set Master Volume (Range 1 to 32) [Default: 16]
MPLAYER_ASPECT_RATIO_ENABLE	Maintain output aspect ratio 0 = Not maintain output aspect ratio 1 = Maintain output aspect ratio [Default]
IP_OVERWRITE	Change IP settings on player 0 = Keep the old IP settings on player [Default] 1 = Overwrite with new IP settings on player
IP	IP address 0.0.0.0 = DHCP mode [Default: 0.0.0.0]
NETMASK	Subnet mask (Ignore if set to DHCP) [Default: 0.0.0.0]
GATEWAY	Gateway value (Ignore if set to DHCP) [Default: 0.0.0.0]
DNS1	DNS table
DNS2	[Default: 0.0.0.0]
TIME_ZONE	GMT time zone setting Format: +/- hh [Default: 0]
DVSYNC_SHOW_DOWNLOAD_FILENAME	Display filename on screen while downloading 0 = Do not show filename while content updating 1 = Show filename while content updating [Default]
USB_UPDATE_ENABLE	Enable USB update 0 – Disable 1 – Enable USB update [Default]

TIME_SERVER	Set time server address [Default: pool.ntp.org]
DATALOG_DURATION_IN_DAY	Max. day(s) to keep data log [Default: 31]
CLEANUP_INTERVAL_IN_MINUTE	Interval to clean up data log [Default: 1440]
DAILY_END_TIME_ENABLE	Stop playing End of Day 0 = Disable 1 = Enable [Default]
USB_POLLING_TIME_FOR_MOUNT_IN_SECON	Check USB device [Default: 30]
X_SCREEN_MODE	Set output resolution mode 1 = 1280 x 720 [Default for VS-710] 2 = 1280 x 768 3 = 1280 x 1024 4 = 1920 x 1080 [Default for VS-700] 5 = 1024 x 768 6 = 800 x 600 7 = 640 x 480 8 = 1920 x 1200 9 = 1600 x 900 10 = 1600 x 1024 11 = 1600 x 1200 12 = 1920 x 480
NETSYNC_SLAVE_MODE	Set the player to slave player in video sync connection 0 = Disable video sync [Default] 1 = Set to slave
NETSYNC_MASTER_ADDR	IP address of the master player [Default: no IP]
NETSYNC_MASTER_MODE	Set the player to master player in video sync connection 0 = Disable video sync [Default] 1 = Set to master
NETSYNC_NUM_SLAVE	Set the number of slave player in video sync connection [Default: 16]
DAILY_REBOOT_ENABLE	Auto reboot by daily 0 – Disable 1 – Enable [Default]
DAILY_REBOOT_TIME	Auto reboot schedule [Default: 030000] Mid-night 03:00:00
NETWORK_NO	Network type 0 – RJ-45 cable [Default] 1 – Wi-Fi 2 - Wi-Fi (Azurewave chip)
WIRELESS_SSID	

	SSID key
WIRELESS_AUTHMODE WIRELESS_ENCRYPTYPE	<p>Security modes</p> <p><u>WEP mode</u> WIRELESS_AUTHMODE=SHARED WIRELESS_ENCRYPTYPE=WEP</p> <p><u>WPA mode</u> WIRELESS_AUTHMODE=WPAPSK WIRELESS_ENCRYPTYPE=TKIP</p> <p><u>WPA2 mode</u> WIRELESS_AUTHMODE=WPA2PSK WIRELESS_ENCRYPTYPE=TKIP</p>
WIRELESS_KEY	Password key
FTP_UPDATE_ENABLE	<p>Pull or Push mode selection</p> <p>0 – Pull mode enabled only 1 – Push and Pull mode enabled [Default]</p>
AUDIO_OUTPUT	<p>Audio output configuration</p> <p>1 – Line out only [Default] 2 – SPDIF/Coaxial/Optical only 3 – HDMI audio only</p>

4.3 Update netcfg.ini file

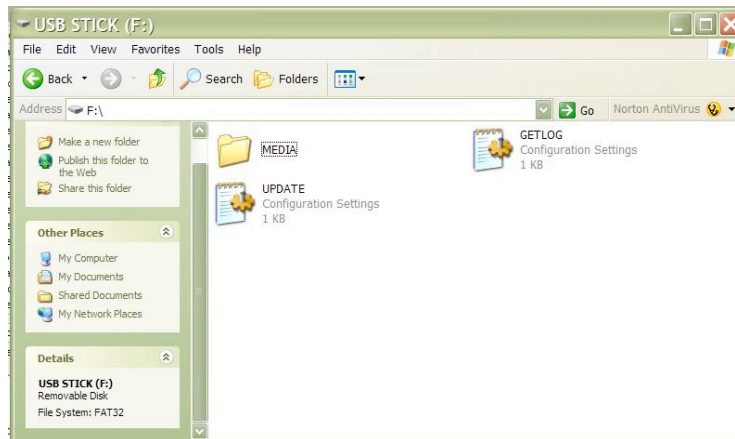
This section explains how to copy the **netcfg.ini** on the VS-700L through a USB flash drive.

Preparation – USB flash drive

- Ensure the USB flash drive is formatted as FAT32 and no “Password control” files are installed on it.
- Create a new folder “MEDIA” on the USB flash drive.
- Create a text file named “UPDATE.INI” on the root directory. Please refer to the **UPDATE.INI** section for details.
- Create a text file named “NETCFG.INI” and save it onto a “MEDIA” folder in USB flash drive.

(To know more about the NETCFG.INI file, please refer to a **ViewStream 700L configuration guide**.)

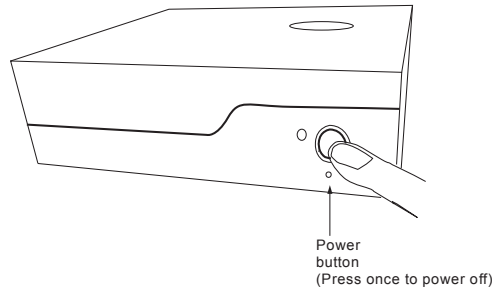
- Note: The USB update does not work without this update.ini file.



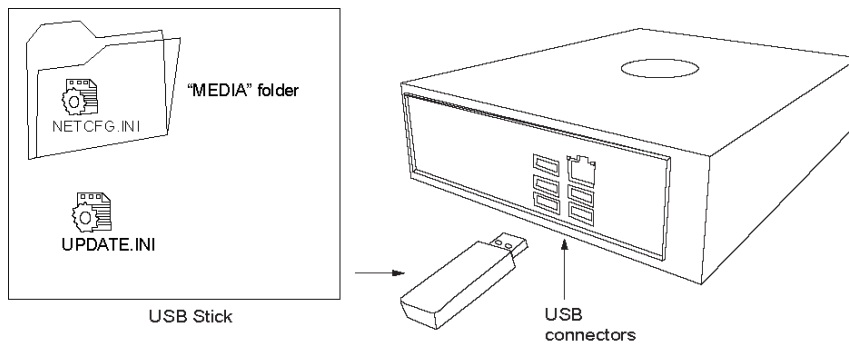
- Copy the **netcfg.ini** into the “MEDIA” folder. This file is now prepared for uploading to the VS-700L.

Steps to upload netcfg.ini file

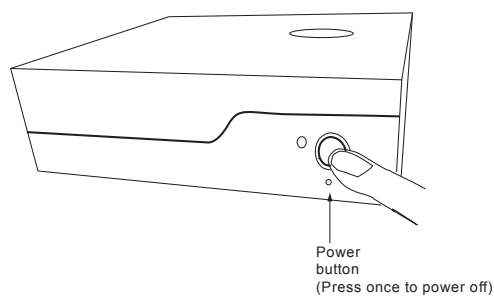
Step 1: Make sure the VS-700L is powered off before inserting the USB flash drive.



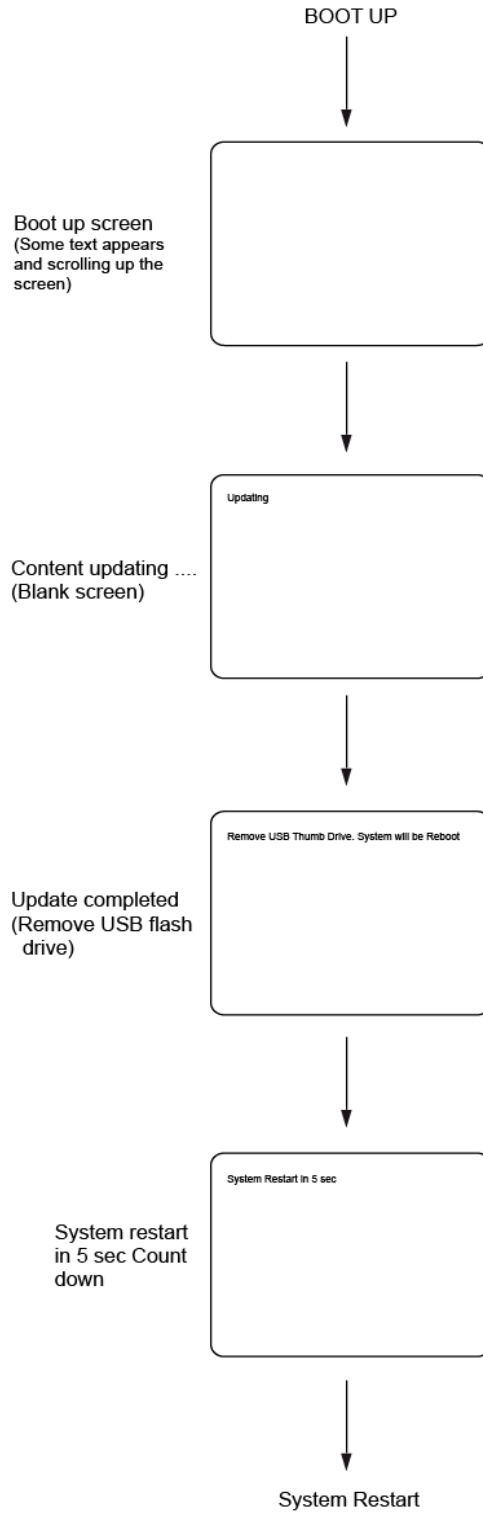
Step 2: Insert USB flash drive with "netcfg.ini" in the media folder and the "update.ini" saved to the VS-700L.



Step 3: Power on the VS-700L.



When the netcfg.ini is being copied from the USB flash drive to the VS-700L. A screen message will be shown as below:



Once the file copy is completed, the following message will be shown:

Remove the USB Thumb Drive. System will Reboot.

The system will restart 5 seconds after the USB flash drive has been removed.

UPDATE.INI

Follow the three options in “update.ini” setting below to copy netcfg.ini on VS-700L:

```
[update]
USB host file update options:
-----
1. Files present in both Player and USB flash drive
( ) Keep the files in Player unchanged
(*) Replace the files in Player by those in USB flash drive
-----
2. Files present in Player only
(*) Keep the files in Player unchanged
( ) Delete the files
-----
3. Files present in USB flash drive only
(*) Copy the files from USB flash drive to Player
( ) Do nothing
-----
```

- Note: Files cannot be copied on the VS-700L without this “update.ini” file.

5 FAQ

<p>Q: What USB flash drive are suitable?</p> <p>A: SanDisk USB flash drive is recommended however many other brands are suitable. If the USB stick comes with some security files or bootable files, please remove them before use on the ViewStream 700L.</p>
<p>Q: How do I prepare a media file on the USB stick for an USB update ?</p> <p>A: All media files on the USB flash drive must be in a folder name "Media". Please refer to the detailed "USB update" application notes at http://www.dvsignage.com/support/VS-700-support</p>
<p>Q: How do I encode or prepare suitable video?</p> <p>A: Settings equivalent to those used for making a DVD are recommended and many popular video editors have a DVD setting preset. For 1080p or 720p HD video, use MPEG-4 (H.264) @15M encoded bitrate.</p>
<p>Q: How do I get video and still images to play in a particular order?</p> <p>A: It is possible to create a playlist to specify the playback order by using DV Studio which can be downloaded from http://dvsignage.com/using-dv-studio</p>
<p>Q: What is DV Studio?</p> <p>A: An authoring tool from DV Signage for the creation of playlists and additional functions with the ViewStream 700L in stand-alone form.</p>
<p>Q: How do I get the most out the advanced features?</p> <p>A: A good place to start is with the Application Notes on the website as these will explain how the various features work. In addition Digital View's sales support team can provide assistance and ideas.</p>

Q: What customization is possible?

A: DV Signage provides both software and hardware customization services – please contact DV Signage’s sales support team for assistance.

Q: How to set local date and time on the player?

A: You have to add a command line in to **netcfg.ini** file. The command line must contain your local GMT time zone. For example:

```
[TIMEZone config]  
TIME_ZONE=+8
```

Q: How to set master volume on the player?

A: You have to add a command line in to **netcfg.ini** file. The command line must contain volume a value range from 0-32. (Default is 16) For example:

```
VOLUME=20
```

Q: How to configure dynamic IP (DHCP) on the player?

A: You have to set the IP address as 0.0.0.0 in to **netcfg.ini** file. The command line must contain IP / Netmask / Gateway and DNS.

```
IP_OVERWRITE=1  
IP=0.0.0.0  
NETMASK=0.0.0.0  
GATEWAY=0.0.0.0  
DNS1=0.0.0.0  
DNS2=0.0.0.0
```

6 Troubleshooting

<p>Problem:</p> <p>Check & Correction:</p>	<p>Nothing is displayed on the screen:</p> <ul style="list-style-type: none"> <input type="checkbox"/> First check that all parts of the system are connected and powered on. <input type="checkbox"/> Check that the display is getting a signal from the ViewStream 700L. This can be done by ensuring the ViewStream 700L indicator LED is on then powering the ViewStream 700L on & off, the display should flicker. <input type="checkbox"/> Ensure the media is compatible, see specifications. <input type="checkbox"/> Ensure that files are in a compatible format.
<p>Problem:</p> <p>Check & Correction:</p>	<p>The display cannot fit the whole screen:</p> <ul style="list-style-type: none"> <input type="checkbox"/> The output on VS-700L is currently set to 1920 x1080 resolution which may not be supported by all monitors. Sometimes you have to do auto adjust function through the monitor to fit image on screen.
<p>Problem:</p> <p>Check & Correction:</p>	<p>Video is jerky:</p> <ul style="list-style-type: none"> <input type="checkbox"/> It is likely that the video is encoded at a data rate too high for the player.
<p>Problem:</p> <p>Check & Correction:</p>	<p>Video is very blocky:</p> <ul style="list-style-type: none"> <input type="checkbox"/> The SD video encoding settings are for a lower resolution. DVD settings are recommended. <input type="checkbox"/> Original content was low resolution
<p>Problem:</p> <p>Check & Correction:</p>	<p>Text is not readable:</p> <ul style="list-style-type: none"> <input type="checkbox"/> It is likely that the text is too small however it is worth checking the encoding settings. DVD settings are recommended.
<p>Problem:</p> <p>Check & Correction:</p>	<p>Audio playback is intermittent:</p> <ul style="list-style-type: none"> <input type="checkbox"/> It is likely that the video is encoded at a data rate too high for the player.

Problem: Video in the playlist does not play in accordance with the play sequence.

Check &

Correction:

- Make sure both project (.prj) and playlist (.pll) have been uploaded on the player. Check if these two files were present in the USB flash drive before content update.

7 Specifications

Playable formats	SD content: MPEG-1 (.mpg) Encoding bit rate: 1.15Mbit/s MPEG-2 (.mpg) Encoding bit rate: 5Mbit/s HD content: MPEG-4 (H.264) (.mov/.mp4) Encoding bit rate: 12-20Mbit/s JPEG content: JPEG (.jpg) up to 1920x1080 pixels
Storage media	32G SSD Hard drive
Video ports	HDMI x 1 DVI x 1
Video output resolution	1920x1080 (16:9) [Default] 1280x720 (16:9) 1280x1024 (4:3) 1024x768 (4:3)
Line out	Stereo
Playback functions	Loop playback / Sequence play /Schedule playback
External I/O ports	USB (content upload) RS-232 (Barcode scan or Control)
LEDs	Power LED HDD LED
Network	RJ-45 port x 1 Dual Antenna (Option)
Real time clock	Battery-backup RTC
Power requirement	Regulated DC 19V input. 2.5mm center positive.
Power consumption	2.2A @ 19V
Environmental	Operating temperature: 0°C to 50°C // 32°F to 122°F Relative humidity: 5%-95% relative humidity (Non-condensing)
Dimensions	180mm (W) x 234mm (D) x 68mm (H) 7.09 in (W) x 9.21in (D) x 2.68 in (H)
Weight (net)	1.2kg (2.65 lbs)

WARRANTY

The products are warranted against defects in workmanship and material for a period of one (1) year from the date of purchase provided no modifications are made to it and it is operated under normal conditions and in compliance with the instruction manual.

The warranty does not apply to:

- Product that has been installed incorrectly, this specifically includes but is not limited to cases where electrical short circuit is caused.
- Product that has been altered or repaired except by the manufacturer (or with the manufacturer's consent).
- Product that has subjected to misuse, accidents, abuse, negligence or unusual stress whether physical or electrical.
- Ordinary wear and tear.

Except for the above express warranties, the manufacturer disclaims all warranties on products furnished hereunder, including all implied warranties of merchantability and fitness for a particular application or purpose. The stated express warranties are in lieu of all obligations or liabilities on the part of the manufacturer for damages, including but not limited to special, indirect consequential damages arising out of or in connection with the use of or performance of the products.

CAUTION

Whilst care has been taken to provide as much detail as possible for use of this product it cannot be relied upon as an exhaustive source of information. This product is for use by suitably qualified persons who understand the nature of the work they are doing and are able to take suitable precautions and design and produce a product that is safe and meets regulatory requirements.

SAFETY INSTRUCTION

Do not use this product near water, for example, near a bathtub, wash bowl, kitchen sink, laundry tub, in a wet basement or near a swimming pool.

LIMITATION OF LIABILITY

The manufacturer's liability for damages to customer or others resulting from the use of any product supplied hereunder shall in no event exceed the purchase price of said product.

TRADEMARKS

The following are trademarks of Digital View Group:
Digital View, DV Signage, ViewStream 700L

Contact Details

USA: 18440 Technology Drive
Building 130
Morgan Hill, CA 95037

Tel: (1) 408-782 7773
Sales: info@dvsignage.com

Fax: (1) 408-782 7883

EUROPE: The Lake House,
Knebworth Park,
Hertfordshire, SG3 6PY
UK

Tel: +44 (0)20 7631 2150
Sales: info@dvsignage.com

Fax: +44 (0)20 7631 2156

ASIA: 16th floor Millennium City 3
370 Kwun Tong Road
Kwun Tong
Hong Kong

Tel: (852) 2861 3615
Sales: hk@dvsignage.com

Fax: (852) 2520 2987

www.dvsignage.com

All rights reserved: The concepts, designs, specifications and commands presented in this document are proprietary to DV Signage and are only made available for use with DV Signage products.

Specifications subject to change without notice